

## CTRL Ultrasound Product & Kit Options

Product Name	Part Number/Description
--------------	-------------------------

### InCTRL Equipment Analysis & Reporting System

InCTRL	Web-based application access
InCTRL Connector	Desktop application to upload batch samples
Master User	
3 GB Storage	Initial maximum storage

#### InCTRL Add-Ons

Additional Storage (1 GB)
Additional User

### SoundCTRL System

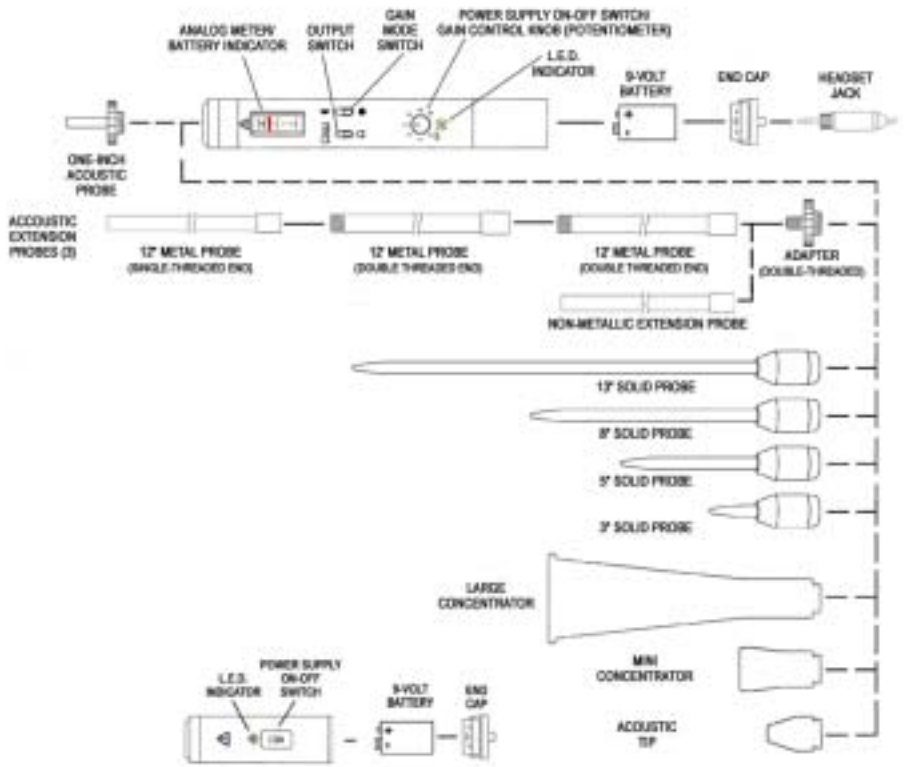
**000010 / 000011**

Dell/IPAQ PDA	Not included with p/n 000011
Pocket PC License	
Desktop License	
Connector Cable	
Quick Start Manual	

### UL101 Full Kit

**000031 / 000033 Standard / Intrinsically Safe**

- UL101 Receiver
- UT2000 Transmitter
- Industrial Grade Headset
- Concentrator Set
- Acoustic Extension Probe Set
- Solid Probe Set
- 1-Inch Acoustic Probe
- Training CD
- Operator's Manual
- Carrying Case
- 1-Year Warranty

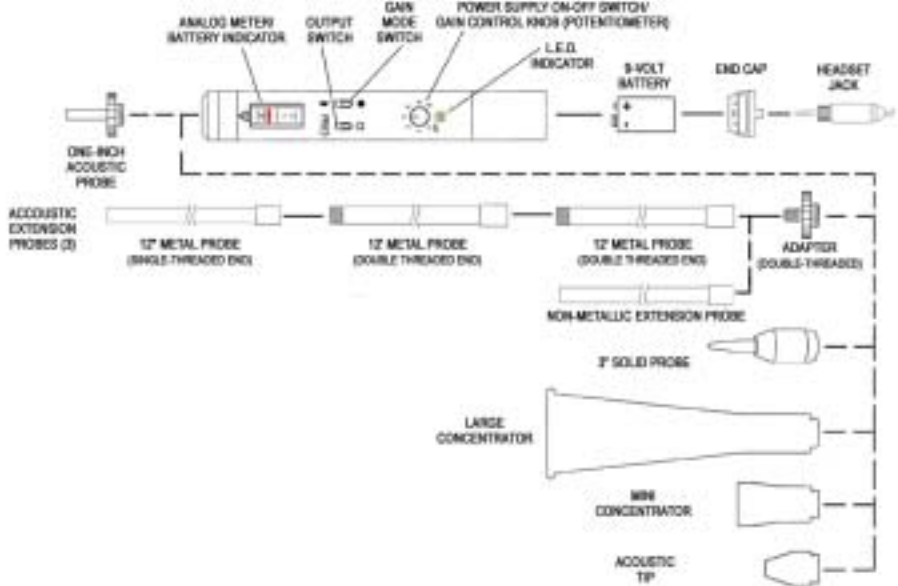


# CTRL Product Sheet

## UL101 Air Audit Kit

000036 / 000038 Standard / Intrinsically Safe

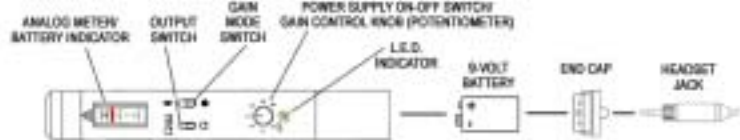
- UL101 Receiver
- Industrial Grade Headset
- Concentrator Set
- Acoustic Extension Probe Set
- 3-Inch Solid Probe
- 1-Inch Acoustic Probe
- Training CD
- Operator's Manual
- Carrying Case
- 1-Year Warranty



## UL101 Base Kit

000030 / 000032 Standard / Intrinsically Safe

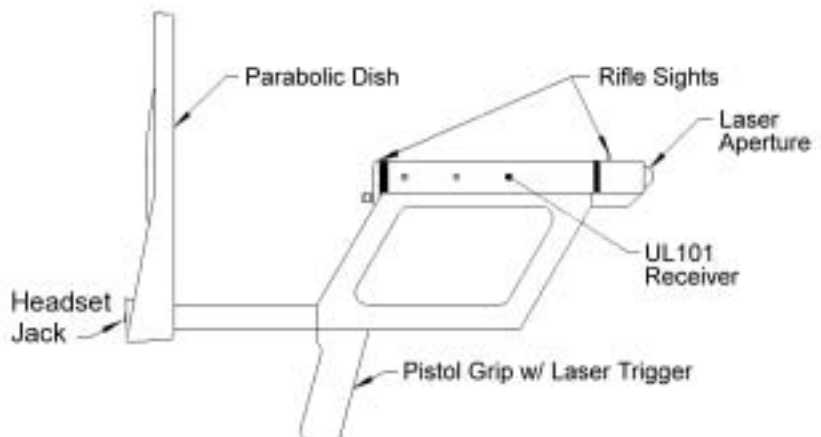
- UL101 Receiver
- Industrial Grade Headset
- Training CD
- Operator's Manual
- Carrying Case
- 1 Year Warranty



## UL101 Corona Kit

000041 Standard

- UL101 Receiver
- PowerBeam 300
- Industrial Grade Headset
- Training CD
- Operator's Manual
- 1 Year Warranty



## CTRL Product Accessories

Product Name	Part Number/Description
PowerBeam 300	007005 – extends the range of detection of UL101 up to 300 feet
Receiver Jacket	005055 – protects receiver from excessive scratching
Belt Pouch	005035 – holsters receiver, headset, and attachments
Gel Ear Seals	005007 – increase comfort of headset
Defect Tags (100)	030085 – priority 1 color coded tags for air/steam audit
Defect Tags (100)	030086 – priority 2 color coded tags for air/steam audit
Defect Tags (100)	030087 – priority 3 color coded tags for air/steam audit
2-Year Extended Warranty	
4-Year Extended Warranty	

## CTRL UL101 Attachments

Product Name	Part Number/Description
Large Concentrator	070007
Mini Concentrator	070009
Acoustic Tip	070037
3-Inch Solid Probe	040045
5-Inch Solid Probe	040050
8-Inch Solid Probe	040055
13-Inch Solid Probe	040060
23-Inch Solid Probe	040065 – special order probe length
Adapter	070005
1-Inch Acoustic Probe	070035
Polycarbonate Probe	070040 – 12-inch acoustic extension probe
Metal Acoustic Probe	070045 – 12-inch double threaded end
Metal Acoustic Probe	070050 – 12-inch single threaded end

*\*A free 1-½ days training is provided with each purchase of CTRL ultrasound detector kits and software packages.*

### CTRL Systems Corporate Office

1004 Littlestown Pike, Suite H  
Westminster, MD 21157 USA

1.410.876.5676 phone • 1.877.287.5797 toll free  
1.410.848.8073 fax • e-mail: [info@ctrlsys.com](mailto:info@ctrlsys.com)

